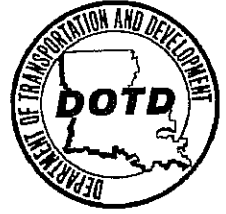




BOBBY JINDAL
GOVERNOR

STATE OF LOUISIANA
DEPARTMENT OF TRANSPORTATION AND DEVELOPMENT
P.O. Box 94245
Baton Rouge, Louisiana 70804-9245
www.dotd.la.gov
225-379-1485



WILLIAM D. ANKNER, Ph.D.
SECRETARY

June 17, 2009

**STATE PROJECT NO. 391-04-0017
JCT I-49 FRONTAGE ROAD – ST. MARTIN PARISH LINE
ROUTE LA 1252
LAFAYETTE PARISH**

SUBJECT: ADDENDUM NO. 2 (CONSTRUCTION PROPOSAL REVISION)
ELECTRONIC BIDDING AMENDMENT NO. 2

Gentlemen:

The following proposal revisions dated 06/17/09 on the captioned project for which bids will be received on Wednesday, June 24, 2009 have been posted on <http://www.dotd.la.gov/cgi-bin/construction.asp>.

1. Plan Revision No. 2. (7 pages)
2. Revised the **Schedule of Items** as follows: (1 page)
 - a. Revised the quantity of Item 305-01-04000.

Please note these revisions in the proposal and bid accordingly. Mandatory electronic bidding is required for this project, and electronic bids and electronic bid bonds must be submitted via www.bidx.com for this letting date.

Sincerely,

RANDAL D. SANDERS, P. E.
CONTRACTS & SPECIFICATIONS ENGINEER

Attachments

cc: Mr. Brian Buckel
Mr. William Fontenot, Jr.
Mr. Jeffrey Faust
Ms. Anna Hanks
Mr. Masood Rasoulia

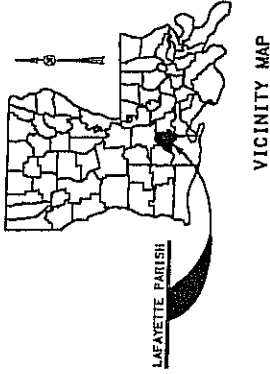
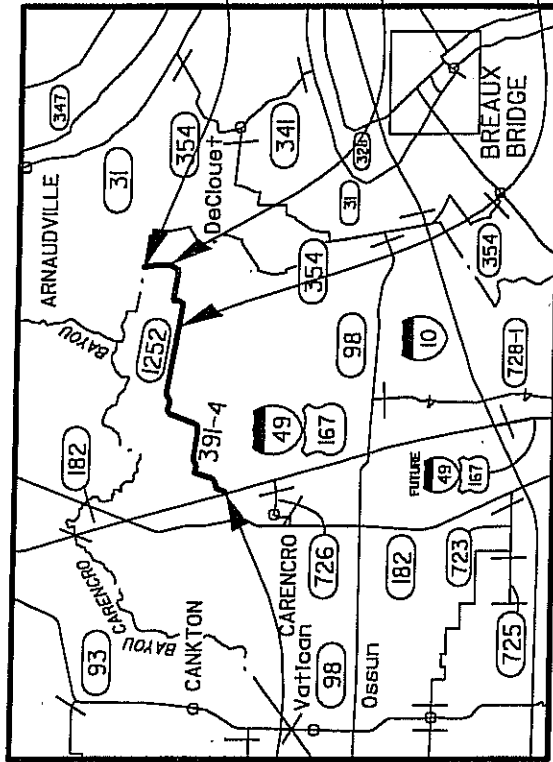
STANDARD PLANS TO BE USED ON THIS PROJECT

STD. PLAN	REV.	DATE
BM-01	08-22-07	
DW-04	09-16-02	
EC-01	10-01-08	
HS-03	01-03-05	
MB-01	02-18-09	
PM-01	01-21-98	

STATE PROJECT NO. 391-04-0017
JCT I-49 FRONTAGE ROAD - ST. MARTIN PARISH LINE
LAFAYETTE PARISH
LA 1252

BEGIN STATE PROJECT
 NO. 391-04-0017
 C.S. LOG MILE 0.000
 (STATION 10+00)

TRAFFIC DATA:
 2009 ADT = 3,900
 2019 ADT = 4,800
 D=55%
 K=10%
 T=12%



END STATE PROJECT
 NO. 391-04-0017
 C.S. LOG MILE 6.140
 (STATION 334+19)

BRIDGE SITE
 STA. 296+62 TO 297+56
 STRUCTURE NO. 3910405401

BRIDGE SITE
 STA. 234+53 TO 236+06
 STRUCTURE NO. 3910404221

TYPE OF CONSTRUCTION:
 BASE REHABILITATION AND OVERLAY

DATE	REVISION	DATE	RECOMMENDED	DATE	APPROVED
6/17/08	Shts. 1, 3, 5, 7-10			6/17/08	RSB
6-10-09	Shts. 1, 3, & 7-10	6/10/09	RSB	6/10/09	RSB

The 2006 Louisiana DOTD Standard Specifications for Roads and Bridges, as amended by the Project Specifications, shall govern on this project.

DEPARTMENT OF TRANSPORTATION AND DEVELOPMENT
 STATE HIGHWAY

PLANS OF PROPOSED

STATE PROJECT NO. 391-04-0017

SHEET NUMBER	PROJECT	DATE	NO.
LAFAYETTE	391-04-0017		



REVISION DESCRIPTION



RECOMMENDED FOR APPROVAL
Bill [Signature]
 DISTRICT ADMINISTRATOR

DATE 1-6-09

APPROVED
[Signature]
 CHIEF ENGINEER

DATE 4-28-09


DISTRICT 03
 DESIGN

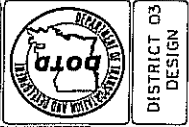
GENERAL NOTES

- 1) THE CONTRACTOR IS TO NOTIFY "LOUISIANA ONE CALL" AT LEAST SEVENTY-TWO (72) HOURS PRIOR TO ANY WORK PERFORMED ON THIS PROJECT.
- 2) FINAL STRIPING LAYOUT SHALL BE AS DIRECTED BY THE DISTRICT 03 TRAFFIC AND PLANNING SECTION.
- 3) ITEM 203-07-00100, BORROW (VEHICULAR MEASUREMENT), SHALL BE USED TO RAISE THE EMBANKMENT ADJACENT TO THE SHOULDER TO THE LEVEL OF THE NEW OVERLAY AND FOR BACKFILL OF EXISTING DRAINAGE STRUCTURES WHERE EROSION HAS OCCURRED AT PIPE ENDS.
- 4) ITEM 203-07-00200, BORROW (VEHICULAR MEASUREMENT) (SELECTED SOILS), IS TO BE USED AT VARIOUS LOCATIONS WHERE INSUFFICIENT CROWN WIDTH EXISTS, FOR SLOPE CORRECTION IN SUPERELEVATED SECTIONS, AND TO FILL VOIDS CREATED ONCE THE EXISTING ASPHALT PATCHES ARE REMOVED.
- 5) ITEM 305-01-04000, SUBGRADE LAYER (12" THICK). TREATMENT SHALL BE APPLIED TO ONE HALF OF THE ROADWAY AT A TIME BY WINDROWING THE TOP 8.5" OF MATERIAL TO THE OTHER HALF OF THE ROADWAY PRIOR TO TREATMENT. REVERSE PROCEDURE FOR THE OTHER HALF. A SHEEPS FOOT ROLLER WITH PADS OF 8", MINIMUM, SHALL BE REQUIRED TO ACHIEVE THE REQUIRED COMPACTION. ROLLER SHALL BE APPROVED BY THE PROJECT ENGINEER PRIOR TO COMMENCING CONSTRUCTION.
- 6) ITEM 401-02-00100, AGGREGATE SURFACE COURSE (ADJUSTED VEHICULAR MEASUREMENT), SHALL BE USED TO CONSTRUCT AGGREGATE DRIVES.
- 7) ITEM 509-02-00100, CONTRACTOR RETAINED RECLAIMED ASPHALTIC PAVEMENT. THE CONTRACTOR IS REQUIRED TO RETAIN 3,186 CUBIC YARDS (APPROXIMATELY 75%) OF R.A.P. GENERATED FROM THIS PROJECT. THIS QUANTITY IS SHOWN AS A NEGATIVE IN THE SUMMARY OF ESTIMATED QUANTITIES TABLE CONTAINED IN THESE PLANS. R.A.P. NOT RETAINED BY THE CONTRACTOR SHALL BE HAULED AND STOCKPILED AT THE DOTD MAINTENANCE YARD LOCATED AT 428 HUGH WALLIS ROAD IN LAFAYETTE.
- 8) ITEM 706-02-00200, CONCRETE DRIVE (6" THICK), IS TO BE USED TO REPLACE PORTIONS OF CONCRETE DRIVES THAT REQUIRE REMOVAL FURTHER THAN THE LIMITS OF THE NEW ROADWAY WIDTH, AS DIRECTED BY THE PROJECT ENGINEER.
- 9) ITEM 731-02-00100, REFLECTORIZED RAISED PAVEMENT MARKERS, INCLUDES BLUE MARKERS TO BE USED TO MARK FIRE HYDRANT LOCATIONS.
- 10) ITEM 735-02-00100, MAILBOX SUPPORTS (SINGLE), MAY INCLUDE QUANTITY FOR EXISTING NEWSPAPER TUBES THAT DO NOT ACCOMPANY A MAILBOX, AND THEREFORE MAY REQUIRE AN APPROVED SUPPORT.
- 11) ITEMS 735-02-00100, 735-03-00100, AND 735-04-00100, MAILBOX SUPPORTS (SINGLE), (DOUBLE), AND (MULTIPLE), ALL MAILBOX SUPPORTS THAT DO NOT COMPLY WITH THE 2006 DOTD SPECIFICATIONS, AND/OR DAMAGED SUPPORTS, SHALL BE REPLACED WITH CRASH TESTED AND USPS APPROVED SUPPORTS.

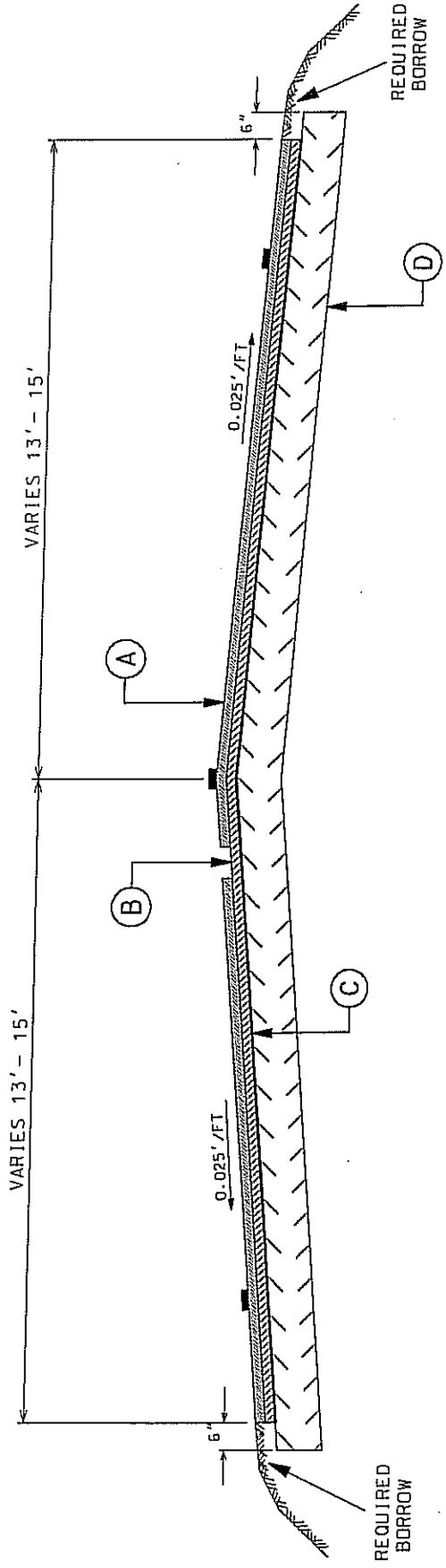
① ②

G-3

SHEET NUMBER 3	PARISH LAFAYETTE	FEDERAL PROJECT	STATE PROJECT 391-04-0017		REVISION DESCRIPTION REMOVED/REVISED NOTES REVISED NOTE DATE 06/17/2009 06/10/2009
--------------------------	----------------------------	-----------------	-------------------------------------	--	---



DISTRICT 03
DESIGN



TYPICAL SECTION OF PROPOSED ROADWAY

APPLY FROM: STATION 10+00 TO STATION 334+19
 BRIDGE: STATION 234+53 TO STATION 236+06 *
 BRIDGE: STATION 296+62 TO STATION 297+56 * Δ

- (A) 2.0" SUPERPAVE ASPHALTIC CONCRETE WEARING COURSE (LEVEL 1)
- (B) 2.0" SUPERPAVE ASPHALTIC CONCRETE BINDER COURSE (LEVEL 1)
- (C) ASPHALTIC SURFACE TREATMENT (TYPE E) (2 APPLICATIONS)
- (D) IN-PLACE CEMENT STABILIZED BASE COURSE (8 1/2" THICK) (6% CEMENT BY VOLUME)

NOTES:
 20 YEAR ESALS = 1,265,226
 STRIPE FOR 2 -11' LANES, WITH EXCEPTION OF SUPERELEVATED SECTIONS TO BE STRIPED FOR 2 -12' LANES.
 * BRIDGES TO RECEIVE ASPHALTIC SURFACE TREATMENT AND ASPHALTIC CONCRETE WEARING COURSE ONLY (NO BINDER COURSE).
 Δ PRIOR TO PLACEMENT OF ASPHALTIC CONCRETE ON THE EXPOSED BRIDGE DECK, TWO LAYERS OF 55 LB./SQ. FELT (OR HEAVIER) TO BE PLACED ON THE DECK, NORMAL TO EACH OTHER WITH A TACK COAT UNDER EACH LAYER (TO BE PAID FOR UNDER ITEM 509-01-00100). CONTRACTOR TO GIVE A MINIMUM OF 5 DAYS NOTICE TO THE PROJECT ENGINEER SO THAT PROVISIONS MAY BE MADE TO HAVE THE DOTD MAINTENANCE FORCES AVAILABLE TO REPAIR BRIDGE IF NECESSARY.



Summary Of Estimated Quantities

Proposal ID: 391-04-0017
Federal Project Number:

State Project Number: 391-04-0017

Proposal Description: JCT I-49 FRONTAGE ROAD - ST. MARTIN PARISH LINE

Item No.	Description	Supplemental Description	Alternate Set Member	Quantity	Units
202-02-06100	Removal of Concrete Walks and Drives	General Items		200.000	SQYD
202-02-32100	Removal of Pipe (Cross Drain)	(CMP & CMPA)		356.000	LNFT
203-07-00100	Borrow (Vehicular Measurement)			700.000	CUYD
203-07-00200	Borrow (Vehicular Measurement) (Selected Soils)			700.000	CUYD
204-05-00100	Temporary Sediment Check Dams (Hay)			80.000	EACH
303-01-00200	In-Place Cement Stabilized Base Course (8 1/2" Thick)			100,000.000	SQYD
303-02-00100	Removal of Existing Patches			400.000	SQYD
305-01-04000	Subgrade Layer (12" Thick)			100,000.000	SQYD
401-02-00100	Aggregate Surface Course (Adjusted Vehicular Measurement)			200.000	CUYD
502-01-00100	Superpave Asphaltic Concrete			21,124.600	TON
502-01-00200	Superpave Asphaltic Concrete, Drives, Turnouts and Miscellaneous			1,300.000	TON
507-01-00100	Asphaltic Material (CRS-2P Emulsion)			66,054.000	GAL
507-02-00200	Aggregate (S2)			97,138.000	SQYD
507-02-00300	Aggregate (S3)			97,138.000	SQYD

Notes:

Rev. 1 - 6/10/2009 - Deleted Item/Revised Quantity
Rev. 2 - 6/17/2009 - Revised Quantity



Summary Of Estimated Quantities

Proposal ID: 391-04-0017 State Project Number: 391-04-0017
Federal Project Number:

Proposal Description: JCT I-49 FRONTAGE ROAD - ST. MARTIN PARISH LINE

Item No.	Description	Supplemental Description	Alternate Set Member	Quantity	Units
509-01-00100	Cold Planing Asphaltic Pavement			44,000.000	SQYD
509-02-00100	Contractor Retained Reclaimed Asphaltic Pavement			-3,186.000	CUYD
510-01-00200	Pavement Patching (12" Minimum Thickness)			120.000	SQYD
701-01-02040	Cross Drain Pipe (30" RCP/PP or 36" CMP)			94.000	LNFT
701-02-02080	Cross Drain Pipe Arch (36" Equiv. RCPA or 42" Equiv. CMPA)			62.000	LNFT
701-02-02220	Cross Drain Pipe Arch (60" Equiv. RCPA or 72" Equiv. CMPA)			200.000	LNFT
706-02-00200	Concrete Drive (6" Thick)			10.000	SQYD
713-01-00100	Temporary Signs and Barricades			1.000	LUMP
713-02-00300	Temporary Pavement Markings (8" Width)			290.000	LNFT
713-02-00400	Temporary Pavement Markings (12" Width)			380.000	LNFT
713-02-00500	Temporary Pavement Markings (24" Width)			120.000	LNFT
713-03-01000	Temporary Pavement Markings (Broken Line) (4" Width) (4' Length)			12.280	MILE
713-03-02000	Temporary Pavement Markings (Broken Line) (4" Width) (10' Length)			7.946	MILE
713-04-01000	Temporary Pavement Markings (Solid Line) (4" Width)			36.448	MILE

Notes:

Rev. 1 - 6/10/2009 - Deleted Item/Revised Quantity
Rev. 2 - 6/17/2009 - Revised Quantity



Summary Of Estimated Quantities

Proposal ID: 391-04-0017 State Project Number: 391-04-0017
Federal Project Number:

Proposal Description: JCT I-49 FRONTAGE ROAD - ST. MARTIN PARISH LINE

Item No.	Description	Supplemental Description	Alternate Set Member	Quantity	Units
713-06-00200	Temporary ReflectORIZED Raised Pavement Markers (Tabs)			1,620,000	EACH
722-02-00100	Project Site Laboratory (Equipped)			1.000	EACH
726-01-00100	Bedding Material			100,000	CUYD
727-01-00100	Mobilization			1.000	LUMP
729-16-00200	Object Marker Assembly (Type 2)			5.000	EACH
731-02-00100	ReflectORIZED Raised Pavement Markers			815,000	EACH
732-01-01040	Plastic Pavement Striping (8" Width) (Thermoplastic 90 mil)			145,000	LNFT
732-01-01060	Plastic Pavement Striping (12" Width) (Thermoplastic 90 mil)			190,000	LNFT
732-01-01080	Plastic Pavement Striping (24" Width) (Thermoplastic 90 mil)			15,000	LNFT
732-01-02080	Plastic Pavement Striping (24" Width) (Thermoplastic 125 mil)			45,000	LNFT
732-02-02000	Plastic Pavement Striping (Solid Line) (4" Width) (Thermoplastic 90 mil)			18,224	MILE
732-03-02000	Plastic Pavement Striping (Broken Line) (4" Width) (Thermoplastic 90 mil)			3,973	MILE
735-01-00100	Mailboxes			140,000	EACH

Notes:

Rev. 1 - 6/10/2009 - Deleted Item/Revised Quantity
Rev. 2 - 6/17/2009 - Revised Quantity



Summary Of Estimated Quantities

Proposal ID: 391-04-0017 State Project Number: 391-04-0017

Federal Project Number:

Proposal Description: JCT I-49 FRONTAGE ROAD - ST. MARTIN PARISH LINE

Item No.	Description	Supplemental Description	Alternate Set Member	Quantity	Units
735-02-00100	Mailbox Supports (Single)			80.000	EACH
735-03-00100	Mailbox Supports (Double)			16.000	EACH
735-04-00100	Mailbox Supports (Multiple)			8.000	EACH
740-01-00100	Construction Layout			1.000	LUMP
NS-600-00220	Saw Cutting Portland Cement Concrete Pavement			3,000.000	INLF

Notes:

Rev. 1 - 6/10/2009 - Deleted Item/Revised Quantity

Rev. 2 - 6/17/2009 - Revised Quantity



6/17/2009

Louisiana Department of Transportation and Development
Proposal Schedule of Items

Page: 1

Contract ID: 391-04-0017

Project(s): 391-04-0017

SECTION: 1

General Items

Proposal Line Number	Item ID	Description Unit Price (In Words, Ink or Typed)	Approximate Quantity	Unit of Measure
0001	202-02-06100	Removal of Concrete Walks and Drives	200.000	SQYD Dollars Cents
0002	202-02-32100	Removal of Pipe (Cross Drain) (CMP & CMPA)	356.000	LNFT Dollars Cents
0003	203-07-00100	Borrow (Vehicular Measurement)	700.000	CUYD Dollars Cents
0004	203-07-00200	Borrow (Vehicular Measurement) (Selected Soils)	700.000	CUYD Dollars Cents
0005	204-05-00100	Temporary Sediment Check Dams (Hay)	80.000	EACH Dollars Cents
0006	303-01-00200	In-Place Cement Stabilized Base Course (8 1/2" Thick)	100,000.000	SQYD Dollars Cents
0007	303-02-00100	Removal of Existing Patches	400.000	SQYD Dollars Cents
0009	305-01-04000	Subgrade Layer (12" Thick)	100,000.000	SQYD Dollars Cents